

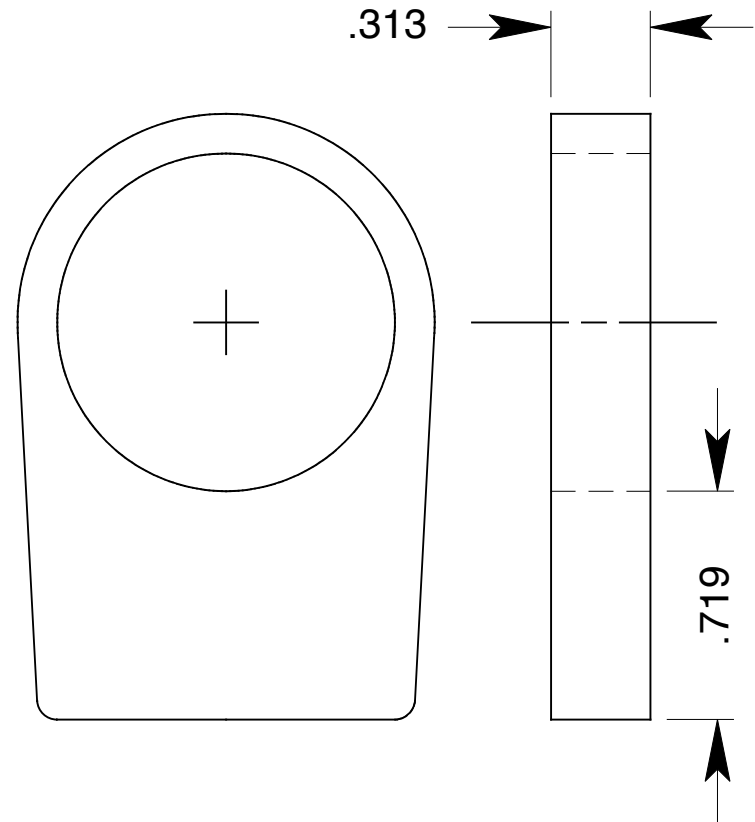


1209 Swift St. N. Kansas City, MO. 64116
www.badgerordnance.com

PERFORMANCE PRODUCTS

Stainless Steel **M 700 Remington®** **Maximized Recoil Lug**

P/N 1005-306-01S



The Badger Ordnance Stainless Steel recoil lug is made from precision ground 416R Stainless, the same material as barrels.

The radiuses on the corners allow the smooth, non-marring installation and removal from a bedded stock.

This product is sold as is and without any warranty. No liability is expressed or implied for damage or injury which may result from improper installation or use of this product