

Pillar length if used with the Badger Ordnance M5 guard.

Unless otherwise specified  
 Diminsions are in Inches  
 TOLERANCES:  
 ANGLES ± .5°  
 FRACTIONS ±.015  
 .00 ±.01  
 .000 ± .005  
 .0000 ±.0005

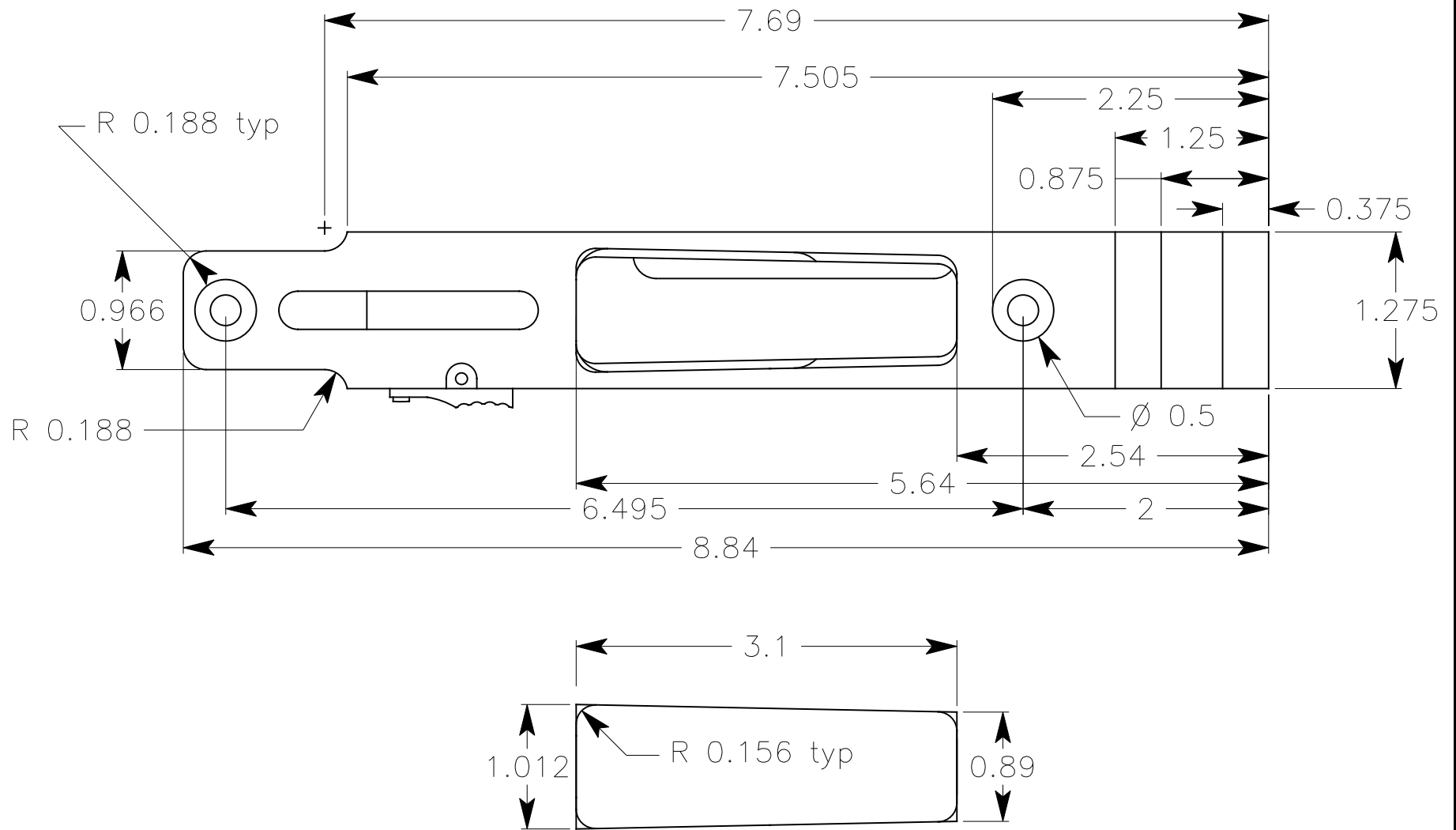
ENGINEER: M. BORDSON

**BADGER ORDNANCE** LLC

1141 SWIFT ST. N. KANSAS CITY, MO 64116  
 816 421-4956 FAX 816 421-4958

ACTION INLET M2008 .308 ACTION

A	Dwg No.	100-01-	Part No.	100-01	
		01			
Scale 2:1	Date: 1 June 2008	Page 3	of 3		



Unless otherwise specified  
 Diminsions are in Inches  
 TOLERANCES:  
 ANGLES  $\pm .5^\circ$   
 FRACTIONS  $\pm .015$   
 .00  $\pm .01$   
 .000  $\pm .005$   
 .0000  $\pm .0005$

**BADGER ORDNANCE**

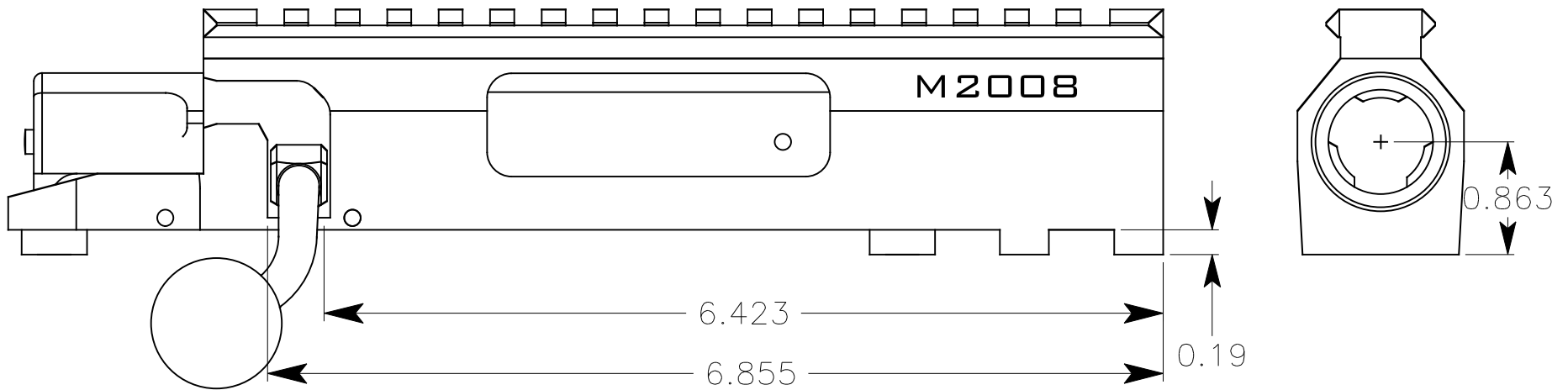
1141 SWIFT ST. N. KANSAS CITY, MO 64116  
 816 421-4956 FAX 816 421-4958

ACTION INLET M2008 .308 ACTION

A	Dwg No.	100-01-	Part No.	100-01	

ENGINEER: M. BORDSON

Scale 2:1	Date: 1 June 2008	Page 2 of 3
-----------	-------------------	-------------



This product is warranted against defect of material or manufacture. No liability is expressed or implied for damage or injury which may result from improper installation or use of this product

Unless otherwise specified  
 Diminisions are in Inches  
 TOLERANCES:  
 ANGLES  $\pm .5^\circ$   
 FRACTIONS  $\pm .015$   
 .00  $\pm .01$   
 .000  $\pm .005$   
 .0000  $\pm .0005$

**BADGER ORDNANCE**

1141 SWIFT ST. N. KANSAS CITY, MO 64116  
 816 421-4956 FAX 816 421-4958

ACTION INLET M2008 .308 ACTION

A	Dwg No.	100-01-	Part No.	100-01		

ENGINEER: M. BORDSON

Scale 2:1	Date: 1 June 2008	Page 1 of 3
-----------	-------------------	-------------